

FAG

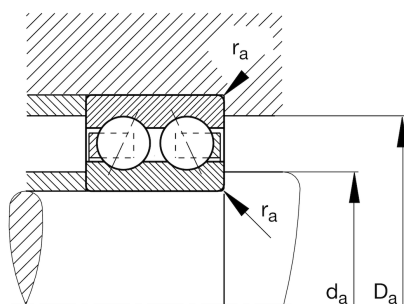
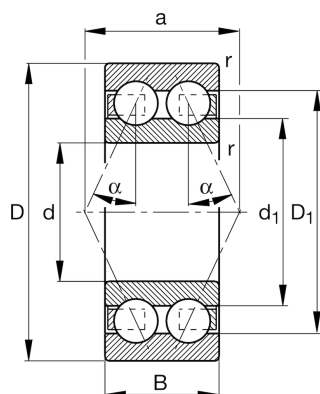
3204-BD-XL

Angular contact ball bearing

Schaeffler ID:
0709259760000Angular contact ball bearing 32.-BD-XL,
double row, X-life, steel sheet metal cage

X-life

Technical information



Main Dimensions & Performance Data

d	20 mm	Bore diameter
D	47 mm	Outside diameter
B	20,6 mm	Width
C _r	20.600 N	Basic dynamic load rating, radial
C _{0r}	12.900 N	Basic static load rating, radial
C _{ur}	900 N	Fatigue load limit, radial
n _G	16.100 1/min	Limiting speed
n _{gr}	14.700 1/min	Reference speed
	0,153 kg	Weight

Dimensions

r _{min}	1 mm	Minimum chamfer dimension
D ₁	40,1 mm	Shoulder diameter outer ring
d ₁	30,8 mm	Shoulder diameter inner ring
a	27,9 mm	Distance between the apexes of the pressure cones
α	30 °	Contact angle

Mounting dimensions

d _{a min}	25,6 mm	Minimum diameter shaft shoulder
D _{a max}	41,4 mm	Maximum diameter of housing shoulder
r _{a max}	1 mm	Maximum fillet radius

Temperature range

T _{min}	-30 °C	Operating temperature min.
T _{max}	120 °C	Operating temperature max.